

“Recall Information”

Published by:
Peter A. Lynch, Esq.
of **Cozen O’Connor**
<http://www.cozen.com>
<http://interfire.org/>

EXECUTIVE SUMMARY: This week covers:

- (1) Elmo USA Corp. Recalls Visual Presenters Due to Fire Hazard
- (2) Meijer inc. Recalls Firepits; Products Can Tip Over and Pose a Fire Hazard
- (3) General Electric Recalls Microwave Combo Wall Ovens Due to Fire Hazard
- (4) Black and Decker® Brand Toasters recalled by Applica Consumer Products INC. Due to Fire Hazard
- (5) Collins International Co. Recalls Oscillating Ceramic Heaters Sold at Menards Retail Stores Due to a Fire Hazard
- (6) Hairstyling Irons Recalled By Farouk Systems INC. Due to Fire and Burn Hazards
- (7) Outdoor Vacuums With Honda Engines Recalled By Billy Goat Industries INC. Due to Fire Hazard
- (8) Venmar Ventilation INC. Recalls Heat Recovery Ventilators Due to Fire Hazard

(1) ELMO USA CORP. RECALLS VISUAL PRESENTERS DUE TO FIRE HAZARD

The U.S. Consumer Product Safety Commission, in cooperation with the firm named below, today announced a voluntary recall of the following consumer product. Consumers should stop using recalled products immediately unless otherwise instructed.

Name of Product: Visual Presenters (sold as Image Presentation Cameras by Epson)

Units: About 54,000

Distributor: ELMO USA Corp. of Plainview, NY

Manufacturer: ELMO Co. Ltd., of Japan

Hazard: Improperly installed fluorescent top lights in the presenter can overheat, posing a fire hazard.

Incidents/Injuries: None reported.

Description: Visual presenters capture images to LCD panels, LCD projectors and TV monitors. The recall includes presenters sold under the ELMO, Epson, Doar Communications, Vtel and Tandberg brand names. The presenters were manufactured between December 1993 and December 2003. The manufacturer information is located on the side, rear and bottom of the main body of the following ELMO model numbers, EV-500AF, EV-400AF, EV-6000AF, EV-8000AF, HV-5000XG, HV-7000SX, HV-8000SX, EV-4400AF, HV-5100XG and Epson model ELPDC02.

Sold by: Elmo dealers, office supply stores and other retailers nationwide from December 1993 to June 2006 for between \$2,600 and \$9,000.

Manufactured in: Japan

Remedy: Consumers should stop using the recalled visual presenters immediately and contact Elmo USA for all models except Epson. All Epson owners should contact Epson. Consumers with recalled units will receive a free inspection and repair.

Consumer Contact: For additional information, contact Elmo USA at (877) 275-3566 between 9 a.m. and 5 p.m. ET Monday through Friday or visit the firm's Web site at www.elmousa.com. Epson customers should contact Epson at (800) 444-1498 between 7 a.m. and 5 p.m. PT Monday through Friday or visit the firm's website at www.epson.com



(2) MEIJER INC. RECALLS FIREPITS; PRODUCTS CAN TIP OVER AND POSE A FIRE HAZARD

The U.S. Consumer Product Safety Commission, in cooperation with the firm named below, today announced a voluntary recall of the following consumer product. Consumers should stop using recalled products immediately unless otherwise instructed.

Name of Product: Grand Gourmet Firepits

Units: About 6,000

Distributor/Retailer: Meijer Inc., of Grand Rapids, Mich.

Hazard: The legs of the firepit can bend or snap off during use, causing the firepit to tip over and in turn the fire can escape. This poses a fire hazard to consumers.

Incidents/Injuries: The firm has received reports of two incidents in which the legs of the firepits bowed in and buckled. No injuries have been reported.

Description: This recall involves the Grand Gourmet metal wood-burning firepits model FSQ279. The firepit is black, has four legs and two sparks guards on top. It measures 27 inches wide by 27 inches deep by 25 1/2 inches high. The model number can be found on the cover page of the product manual.

Sold at: Meijer retail stores in Michigan, Ohio, Illinois, Indiana, and Kentucky from September 2004 through August 2007 for about \$60.

Manufactured in: Taiwan

Remedy: Consumers should stop using the recalled firepits immediately and return them to their nearest Meijer retailer for a full refund.

Consumer Contact: For additional information, contact Meijer toll-free at (866) 280-8419 between 8 a.m. and 5 p.m. ET or visit the company's Web site at www.meijer.com



(3) GENERAL ELECTRIC RECALLS MICROWAVE COMBO WALL OVENS DUE TO FIRE HAZARD

The U.S. Consumer Product Safety Commission, in cooperation with the firm named below, today announced a voluntary recall of the following consumer product. Consumers should stop using recalled products immediately unless otherwise instructed.

Name of Product: Built-in Combination Wall and Microwave Ovens

Units: About 92,000

Manufacturer: GE Consumer & Industrial, of Louisville, Ky.

Hazard: The door switch in the microwave oven can overheat and ignite plastic components in the control area, posing a fire hazard to consumers. The lower thermal oven does not pose a hazard.

Incidents/Injuries: GE is aware of 35 incidents of minor property damage and one incident in which a fire damaged adjacent kitchen cabinets. No injuries have been reported.

Description: The recall includes GE combination microwave and conventional built-in wall ovens sold under the following brand names: GE, GE Profile® and Kenmore. The ovens were sold in white, black, bisque and stainless steel. The brand name is printed on the lower left corner on the front of the microwave door. The following model and serial numbers can be found inside the microwave oven on the left interior wall.

	Recalled Models	Serial number begins with:
--	------------------------	-----------------------------------

GE / GE Profile	JKP85B0A3BB, JKP85B0D1BB, JKP85W0A3WW, JKP85W0D1WW, JKP86B0F1BB, JKP86C0F1CC, JKP86S0F1SS, JKP86W0F1WW, JT965B0F1BB, JT965C0F1CC, JT965S0F1SS, JT965W0F1WW, JTP85B0A2BB, JTP85B0A3BB, JTP85B0A4BB, JTP85B0A5BB, JTP85B0D1BB, JTP85W0A2WW, JTP85W0A3WW, JTP85W0A4WW, JTP85W0A5WW, JTP85W0D1WW, JTP86B0F1BB, JTP86C0F1CC, JTP86S0F1SS, JTP86W0F1WW, JTP95B0A2BB, JTP95B0A3BB, JTP95B0A4BB, JTP95B0A5BB, JTP95B0D1BB, JTP95W0A2WW, JTP95W0A3WW, JTP95W0A4WW, JTP95W0A5WW, JTP95W0D1WW	AZ, DZ, FZ, GZ, HZ, LZ, MZ, RZ, SZ, TZ, VZ, ZZ, AA, DA, FA, GA, HA, LA, MA, RA, SA, TA, VA, ZA, AD, DD, FD, GD, HD, LD, MD, RD, SD, TD, VD, ZD, AF, DF, FF, GF, HF, LF, MF, RF, SF, TF, VF, ZF
Kenmore (All model numbers start with 911)	41485991, 41485992, 41485993, 41485994, 41489991, 41489992, 41489993, 41489994, 49485992, 49489992, 47692100, 47699100, 47862100, 47869100, 47812200, 47813200, 47814200, 47819200, 47792200, 47793200, 47794200, 47799200	0, 1, 2, 3

Sold at: Department and appliance stores from January 2000 to December 2003 for between \$1,500 and \$2,000.

Manufactured in: United States

Remedy: Consumers should stop using the microwave oven immediately. Consumers should contact GE regarding their GE/GE Profile micro-oven combo or Sears for their Kenmore unit. GE is offering a free repair or rebate on a new product, a \$300 rebate toward the purchase of a new GE brand unit, or a \$600 rebate toward the purchase of a new GE Profile brand unit. Sears is offering a free repair or \$300 rebate toward the purchase of a new Kenmore brand unit. Consumers can continue using the lower thermal oven.

Consumer Contact: For additional information on GE /Profile units, contact General Electric toll-free at (888)-240-2745 from 8 a.m. to 8 p.m. ET Monday through Friday, and 9 a.m. to 3 p.m. ET Saturday, or visit GE's Web site at www.geappliances.com. For additional information on Kenmore units, contact Sears toll-free at (888) 679-0282 from 8 a.m. to 10 p.m. ET Monday through Saturday, or visit Sears' Web site at www.sears.com





**(4) BLACK & DECKER® BRAND TOASTERS RECALLED BY APPLICA
CONSUMER PRODUCTS INC. DUE TO FIRE HAZARD**

The U.S. Consumer Product Safety Commission, in cooperation with the firm named below, today announced a voluntary recall of the following consumer product. Consumers should stop using recalled products and unplug the unit immediately unless otherwise instructed.

Name of Product: Black & Decker® brand Infrawave™ Toasters

Units: About 70,000

Distributor: Applika Consumer Products Inc., of Miramar, Fla.

Hazard: An electrical component in the toaster can overheat and ignite the circuit board, posing a fire hazard.

Incidents/Injuries: Applika has received two reports of the toasters igniting, including one report of fire that damaged a kitchen countertop and cabinets. There have been no reported injuries.

Description and Model: The recalled two-slice toaster is black with stainless steel trim and has a digital display below the toaster lever. The Black & Decker® brand name is on the top of the toaster. Model number ST2000 is printed on the rating plate on the bottom of the toaster.

Manufactured in: China

Sold at: Home improvement and discount department retailers nationwide from March 2007 through November 2007 for about \$50.

Remedy: Consumers should stop using the recalled toaster, unplug it immediately, and contact Applika to receive a refund.

Consumer Contact: For additional information, contact Applika at (800) 556-9439 between 8:30 a.m. and 5 p.m. ET Monday through Friday, or log on to the firm's Web site at <http://www.acprecall.com>



(5) COLLINS INTERNATIONAL CO. RECALLS OSCILLATING CERAMIC HEATERS SOLD AT MENARDS RETAIL STORES DUE TO FIRE HAZARD

The U.S. Consumer Product Safety Commission, in cooperation with the firm named below, today announced a voluntary recall of the following consumer product. Consumers should stop using recalled products and unplug the unit immediately unless otherwise instructed.

Name of Product: Oscillating Ceramic Heaters

Units: About 20,000

Importer: Collins International Co., Ltd., of Fair Lawn, N.J.

Hazard: The heaters can overheat, smoke, or ignite which could pose a fire hazard to consumers.

Incidents/Injuries: Collins International has received seven reports of the heaters overheating, smoking, or igniting, including four reports of minor property damage to carpets and floors. No injuries have been reported.

Description: This recall involves 1500 watt oscillating ceramic heaters model EB38005. The heater has a white plastic housing with the name "Heat-Wave" in black on its top. A label on the bottom of the product contains the model and the control number "ETL 3090262."

Manufactured in: China

Sold at: Menards' stores nationwide from September 2006 through March 2007 for about \$25.

Remedy: Consumers should immediately stop using the heaters and return them to the nearest Menards' store for a full refund.

Consumer Contact: For additional information, contact Collins International toll-free at (866) 877-1889 between 10 a.m. and 4 p.m. ET Monday through Friday, or visit the company's Web Site at www.collinsinternational.com



**(6) HAIRSTYLING IRONS RECALLED BY FAROUK SYSTEMS INC. DUE TO
FIRE AND BURN HAZARDS**

The U.S. Consumer Product Safety Commission, in cooperation with the firm named below, today announced a voluntary recall of the following consumer product. Consumers should stop using recalled products immediately unless otherwise instructed.

Name of Product: WEE CHI Ceramic Hairstyling Irons

Units: About 5,700

Importer/Distributor: Farouk Systems Inc., of Houston, Texas

Hazard: The iron's "on/off" switch was installed incorrectly. When the iron is plugged in and switch is in the "off" position, the iron remains "on," which could pose fire and burn hazards.

Incidents/Injuries: None reported.

Description: The recalled hairstyling iron is black and measures 9.5 inches long. "CHI" is printed on the iron in red lettering. Date code 0306 or 0507 is embossed on the inside of the paddle.

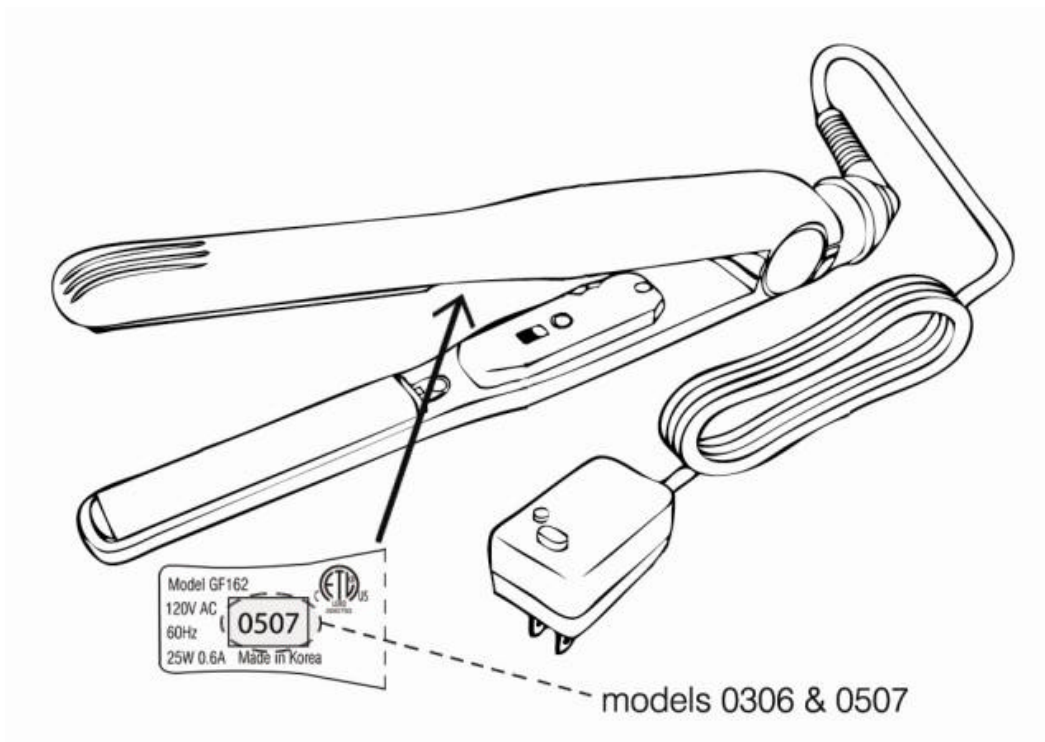
Sold by: Professional beauty supply distributors and beauty salons nationwide from April 2006 through September 2007 for about \$160.

Manufactured in: South Korea

Remedy: Consumers should stop using the product immediately and contact the firm to return the product for a full refund or replacement iron. Farouk Systems is directly notifying all distributors and retailers.

Consumer Contact: For additional information, contact Farouk Systems Inc. at (800) 237-9175 between 8 a.m. and 5 p.m. CT Monday through Friday, or visit the firm's Web site at www.farouk.com





(7) OUTDOOR VACUUMS WITH HONDA ENGINES RECALLED BY BILLY GOAT INDUSTRIES INC. DUE TO FIRE HAZARD

The U.S. Consumer Product Safety Commission, in cooperation with the firm named below, today announced a voluntary recall of the following consumer product. Consumers should stop using recalled products immediately unless otherwise instructed.

Name of Product: Billy Goat MultiVac Outdoor Vacuums

Units: About 1,600

Manufacturer: Billy Goat Industries Inc, of Lee's Summit, Mo.

Hazard: The vacuum’s fuel tank could crack and leak fuel. If gasoline leaking from the fuel tank is ignited, a fire or explosion can occur. This poses a fire and burn hazard to consumers.

Incidents/Injuries: None reported.

Description: The recalled outdoor vacuum is black and green with a red motor housing. “Billy Goat” is printed on the vacuum’s bag. Only outdoor vacuums with the following model and serial numbers are included in the recall. The model and serial numbers are printed on a label located directly below the height adjustment crank on the left side of the vacuum.

Models	Serial Numbers	
MV650H	061107xxx	080607xxx
MV650SPH	061807xxx	081307xxx
	062507xxx	082007xxx
	070907xxx	082707xxx
	072407xxx	090407xxx
	073007xxx	091007xxx

Sold at: Outdoor power equipment and rental dealers nationwide from June 2007 through November 2007 for between \$1,500 and \$1,850.

Manufactured in: United States

Remedy: Consumers should immediately stop using the recalled outdoor vacuums and contact any Billy Goat or Honda Lawn and Garden dealer for a free fuel tank replacement. Registered owners of the recalled vacuums will be mailed a notice.

Consumer Contact: For additional information, contact Honda at (800) 426-7701 between 8:30 a.m. and 5 p.m. ET Monday through Friday, or visit the firm’s Web site at www.hondapowerequipment.com



**(8) VENMAR VENTILATION INC. RECALLS HEAT RECOVERY VENTILATORS
DUE TO FIRE HAZARD**

The U.S. Consumer Product Safety Commission, in cooperation with the firm named below, today announced a voluntary recall of the following consumer product. Consumers should stop using recalled products immediately unless otherwise instructed.

Name of Product: Heat Recovery Ventilators

Units: About 1,100

Manufacturer: Venmar Ventilation Inc., of Quebec, Canada

Hazard: The thermal protector in these units can fail, posing a potential fire hazard to consumers.

Incidents/Injuries: None reported.

Description: This recall involves heat recovery ventilators made between October 2006 and August 2007, and have the following brand names and model numbers:

Brand	Models
Venmar	40225
Venmar AVS	457XX, 16016XX, 43XXX, 451XX, 45400, 45709IEH, C32042
Vane	458XX, 16016XX, 43405, 43828, 45405, 45808
Rheem, Protech	Ruud, 84-ERVXXX, 84-HRVXXX
Carrier	ERVCC LHU1200, HRVCCLHA1250, HRVCCSVU1200, ERVCC LHU1150, HRVCCLVU1150, HRVCCSVU1150, HRVCCLHA1150, HRVCCLVU1200, HRVCCSVU1200, HRVCCSVU1150
Bryant	ERVBBLHU1200, HRVBBLHA1250, HRVBBSVU1200
Broan	ERV200HC, HRV200H, HRV100H

Sold at: Heating, ventilating and air conditioning wholesale distributors, dealers and contractors, and building supply stores nationwide from October 2006 through December 2007 for between \$700 and \$2,500.

Manufactured in: Canada

Remedy: Consumers should immediately turn off and unplug their ventilators. Consumers should contact Venmar Ventilation to schedule an inspection and repair.

Consumer Contact: For additional information, contact Venmar Ventilation toll-free at (866) 441-4645 between 9 a.m. and 5 p.m. CT Monday through Friday, or visit the firm's Web site at www.venmar.ca



DISCLAIMER: This column is not intended to create an attorney-client relationship. The information contained in this update is general in nature. Individual situations of readers may not fit the general educational information described in the column. Readers are strongly encouraged to consult with an attorney to evaluate individual situations and provide legal advice. Any reliance on the information contained herein is taken at the reader's own risk and should not be considered legal advice.

Mr. Lynch can be reached at Cozen O'Connor, 501 West Broadway, Suite 1610, San Diego, California 92101, 800-782-3366 (voice), 619-234-7831 (fax), palynch@cozen.com (e-mail), <<http://www.cozen.com>>.

Please direct comments, suggestions, stories, and other items to the author by e-mail at palynch@cozen.com.

SDIEGO1\260654\1 093081.000